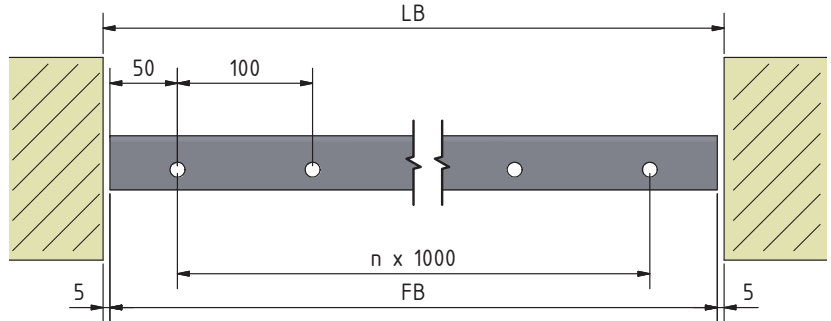
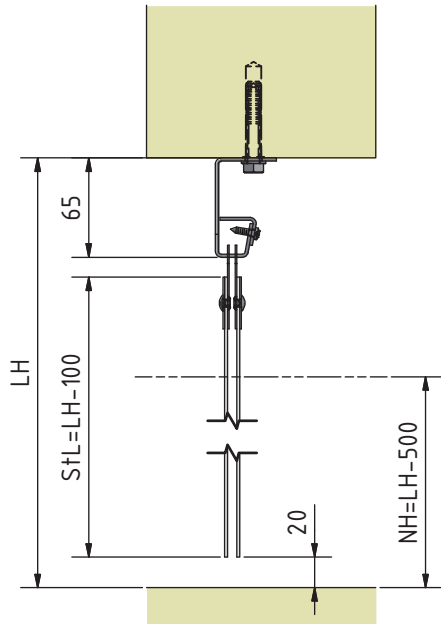


EASY HANG STRIP CURTAINS

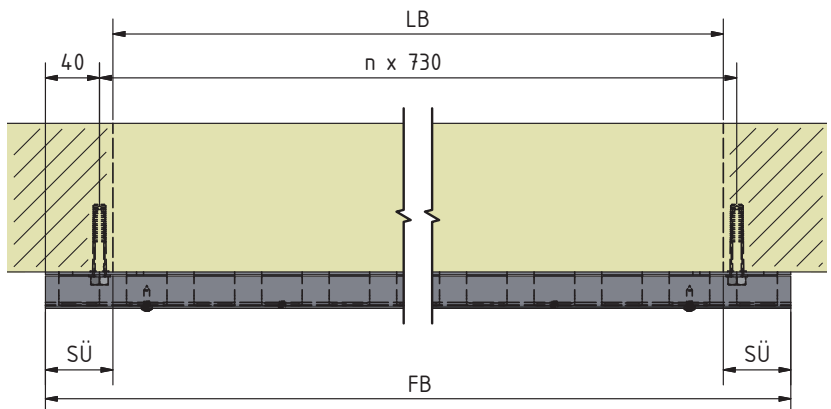
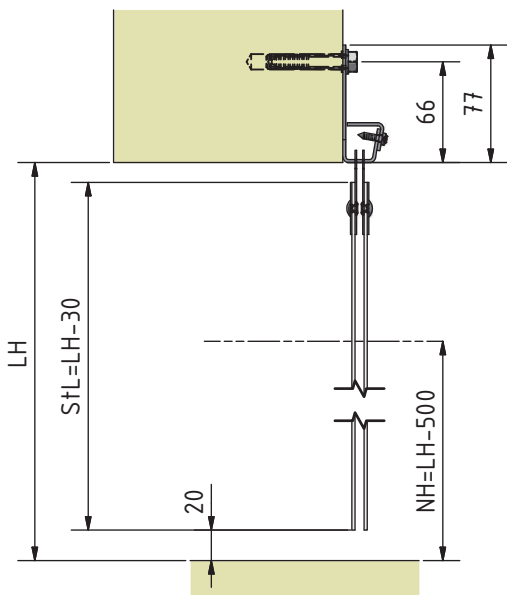
EASY HANG HOOK-IN SYSTEM Fixing type B10



FASTENING BELOW THE LINTEL



FASTENING IN FRONT OF THE LINTEL



LH = Clear height, LB = Clear width, FB = Manufacturing width, StL = Strip length, NH = usable access height (LH-500 mm), Sü = Side projection (max. 2 x overlaps)