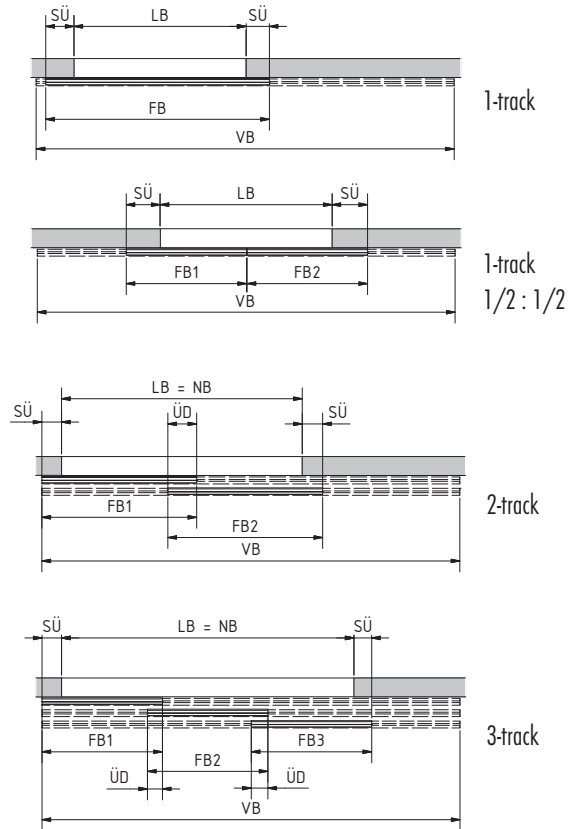
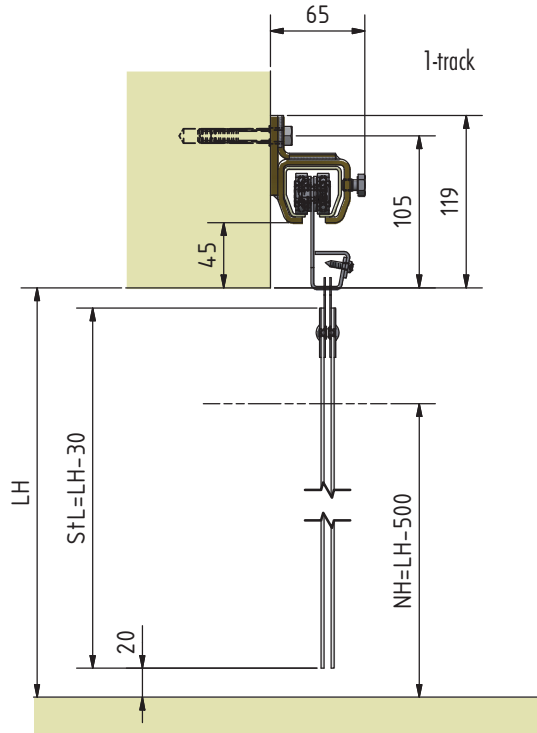


EASY HANG STRIP CURTAINS

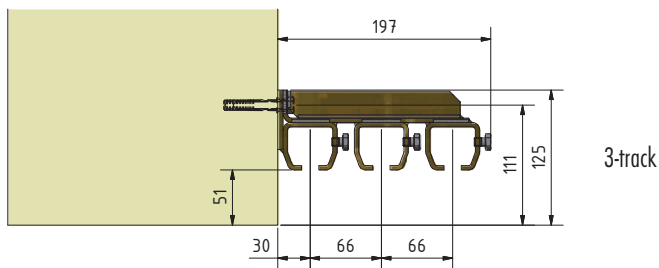
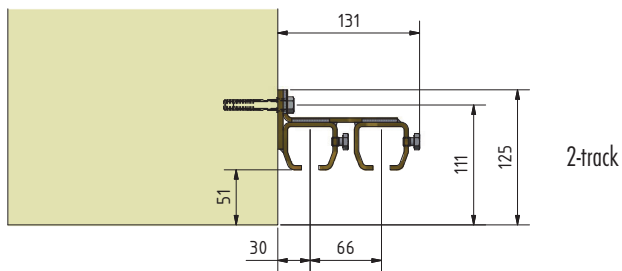
EASY HANG HOOK-IN SYSTEM Fixing type B10



FASTENING IN FRONT OF THE LINTEL - SLIDING ASSEMBLY



Four-track and more sliding assemblies available.



LH = Clear height, LB = Clear width, FB = Manufacturing width, StL = Strip length, NH = usable access height (LH-500 mm),
 SÜ = Side projection (max. 2 x overlaps), VB = Sliding width, NB = usable width with curtain opened, ÜD = Coverage