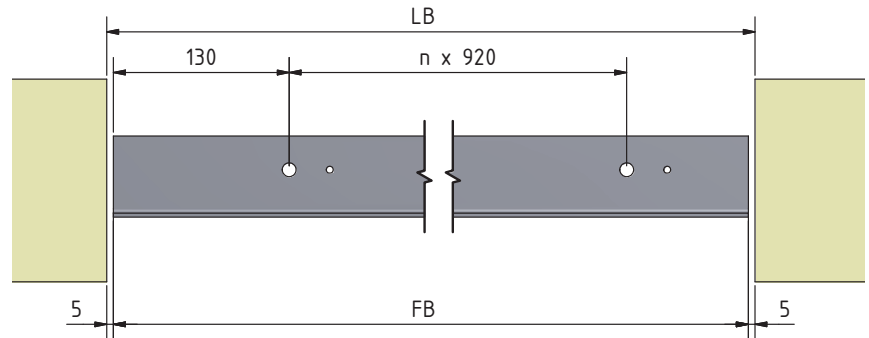
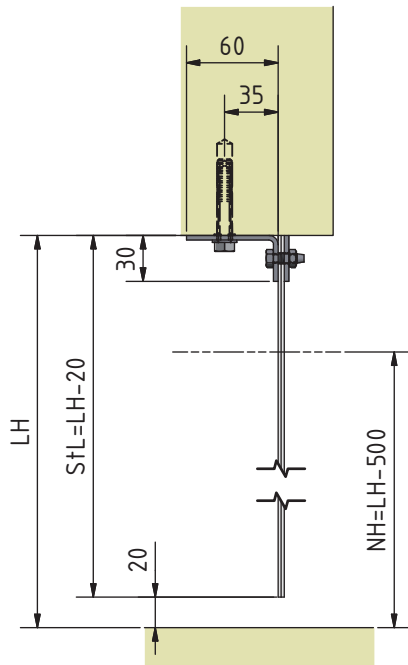


EASY HANG STRIP CURTAINS

CLAMP SYSTEM Fixing type B11

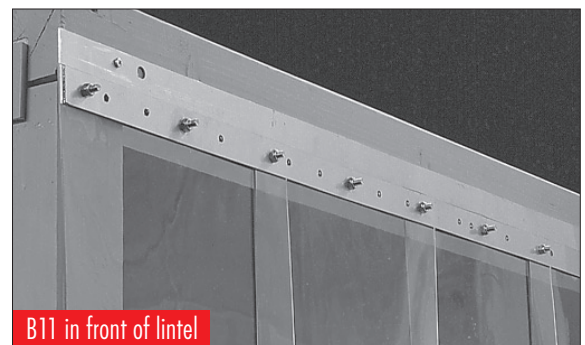
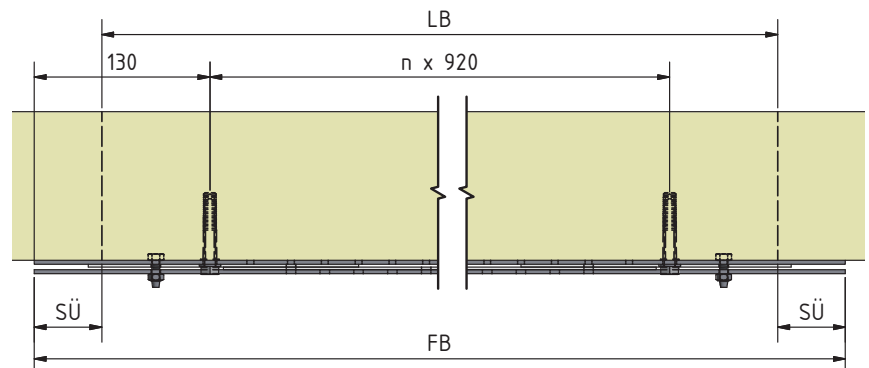
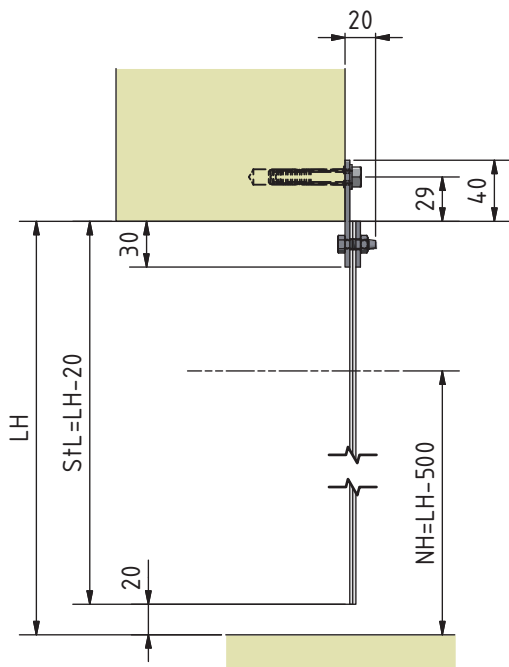


FASTENING BELOW THE LINTEL



Fastening below the lintel
Strips do not swivel. 3.5 kg/lm

FASTENING IN FRONT OF THE LINTEL



Fastening in front of the lintel
Strips do not swivel. 1.4 kg/lm

LH = Clear height, LB = Clear width, FB = Manufacturing width, StL = Strip length, NH = usable access height (LH-500 mm),
SÜ = Side projection (max. 2 x overlaps), VB = Sliding width, NB = usable width with curtain opened, ÜD = Coverage