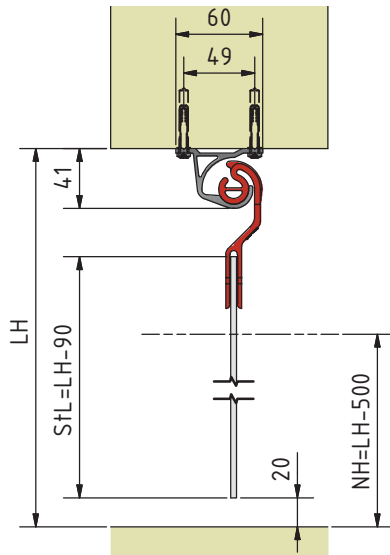


# EASY HANG STRIP CURTAINS

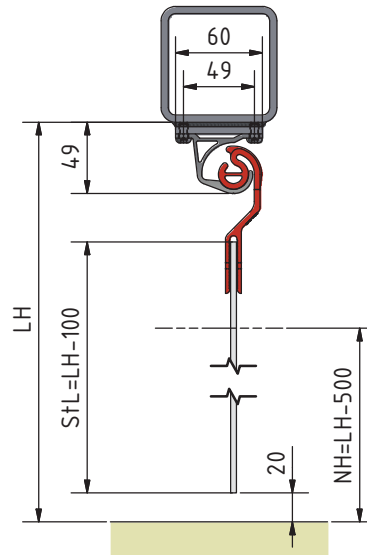
CLIP-IN SYSTEM Fixing type B1-B2-B3



## FASTENING BELOW THE LINTEL

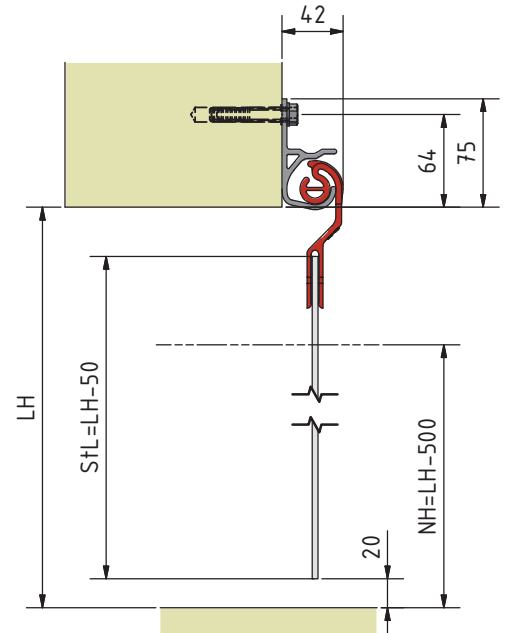


**Fixing type B1**  
Strips swivel 2 x 90°. 3.5 kg/lm

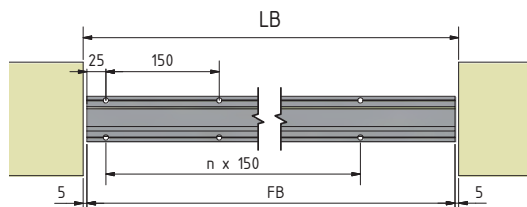


**Fixing type B2 for welding on**  
Strips swivel 2 x 90°. 3.5 kg/lm

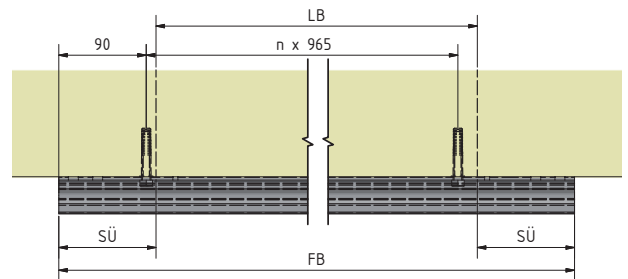
## FASTENING IN FRONT OF THE LINTEL



**Fixing type B3**  
Strips swivel 2 x 90°. 3.6 kg/lm



The manufacturing width (FB) corresponds to the clear width (LB) minus 10 mm mounting dimension



The manufacturing width (FB) is calculated from the clear width (LB) plus 2x the side projection. The projection per side should approximate the strip overlap.



B1



B2



B3

LH = Clear height, LB = Clear width, FB = Manufacturing width, StL = Strip length, NH = usable access height (LH-500 mm), SÜ = Side projection (max. 2 x overlaps)