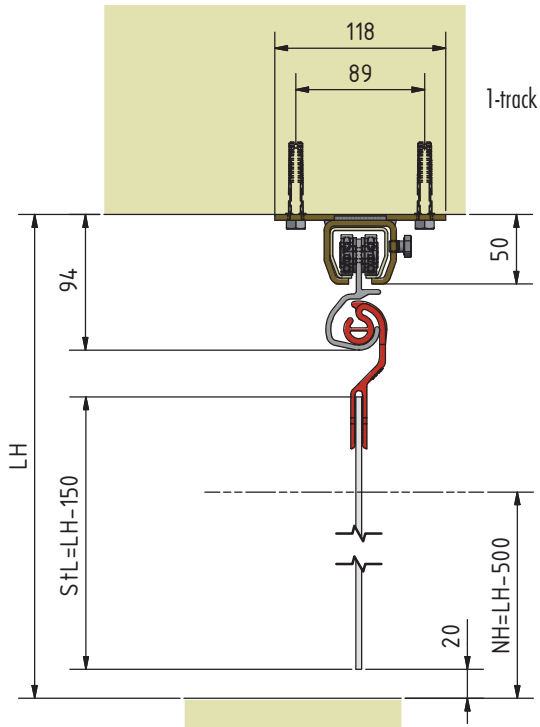


EASY HANG STRIP CURTAINS

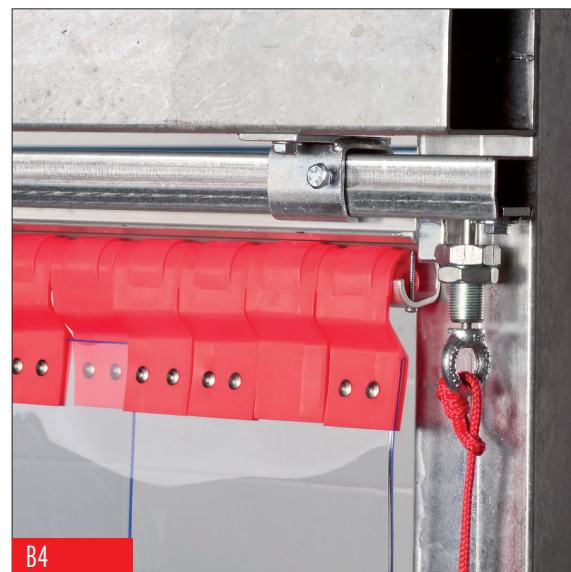
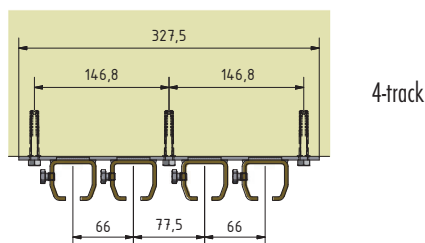
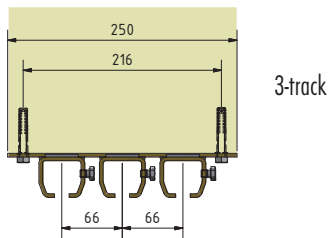
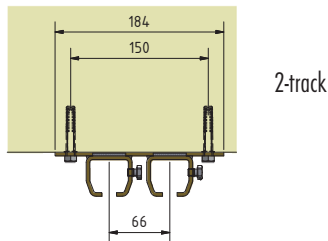
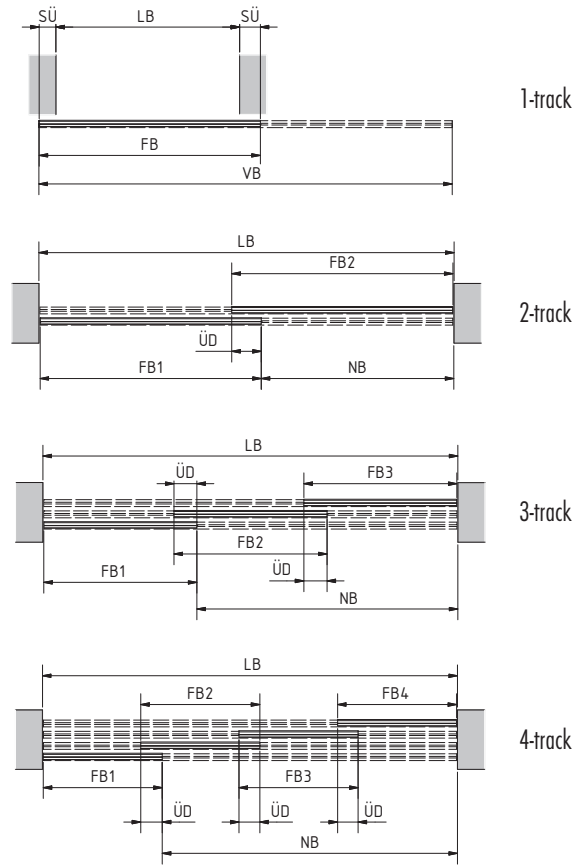
CLIP-IN SYSTEM Fixing type B4



FASTENING BELOW THE LINTEL - SLIDING ASSEMBLY



Weight: 7.0 kg/lm



LH = Clear height, LB = Clear width, FB = Manufacturing width, StL = Strip length, NH = usable access height (LH-500 mm),
 SÜ = Side projection (max. 2 x overlaps), VB = Sliding width, NB = usable width with curtain opened, ÜD = Coverage