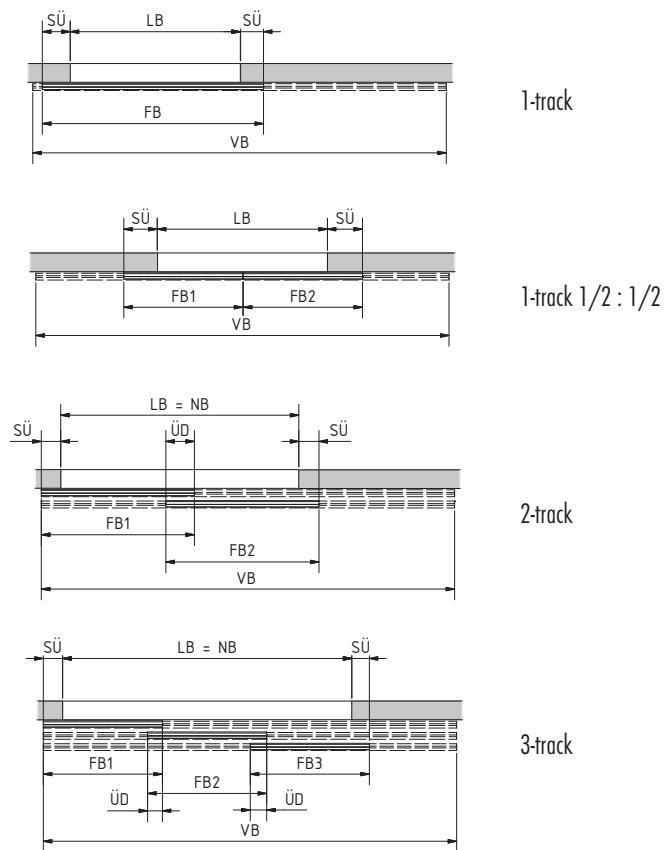
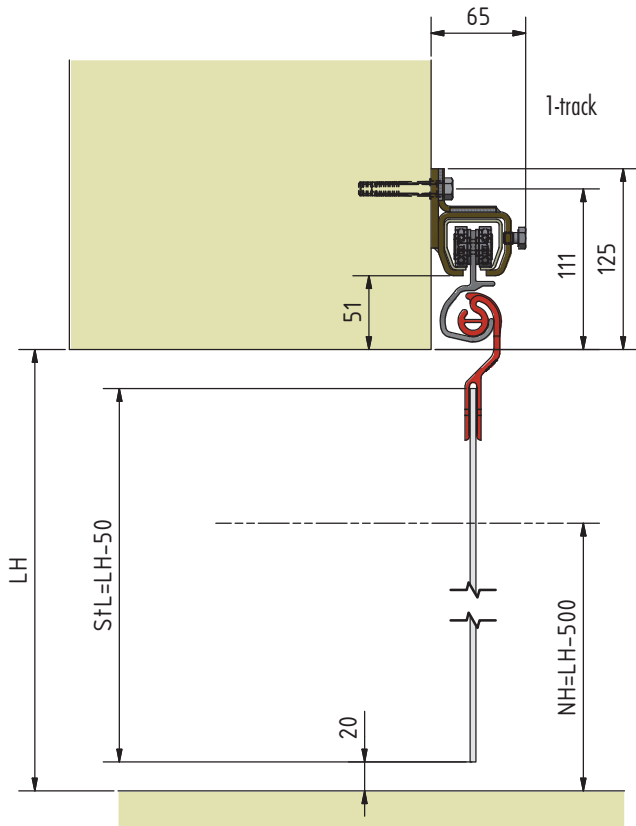


EASY HANG STRIP CURTAINS

CLIP-IN SYSTEM Fixing type B5

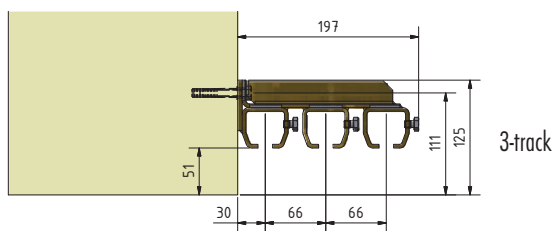
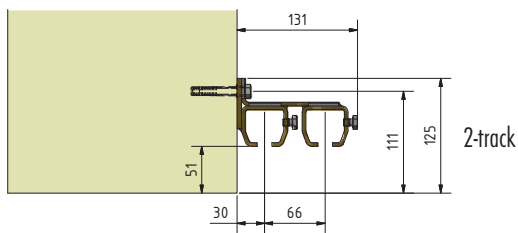


FASTENING IN FRONT OF THE LINTEL - SLIDING ASSEMBLY



Weight: 7.0 kg/lm

The manufacturing width is calculated from the clear internal width (LB) plus the side projection or projection to the individual sliding parts. The following general rule applies: The individual projection should approximate the strip overlap.



LH = Clear height, LB = Clear width, FB = Manufacturing width, StL = Strip length, NH = usable access height (LH-500 mm),
 SÜ = Side projection (max. 2 x overlaps), VB = Sliding width, NB = usable width with curtain opened, ÜD = Coverage