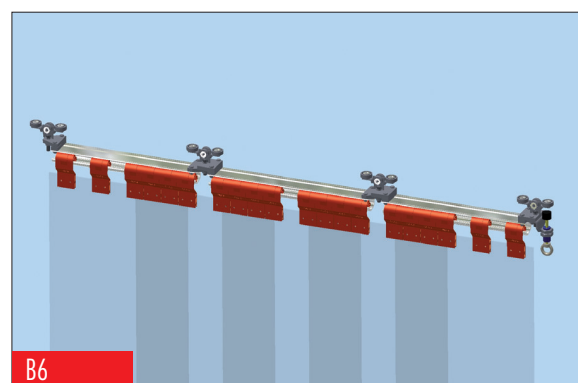
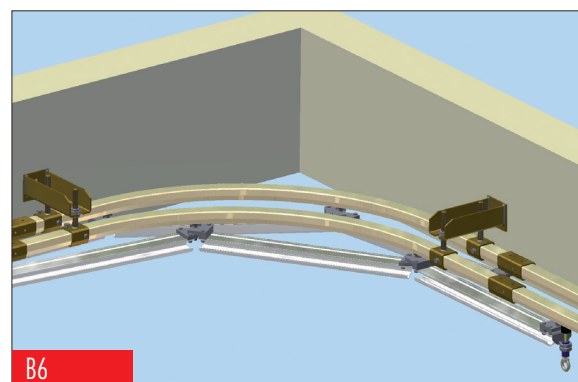
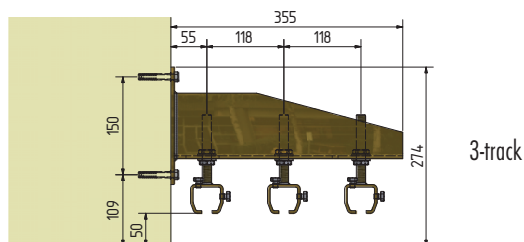
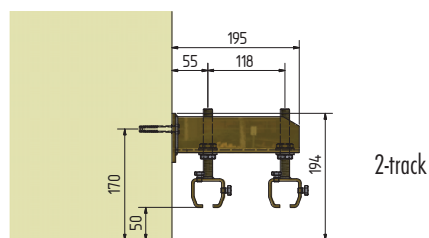
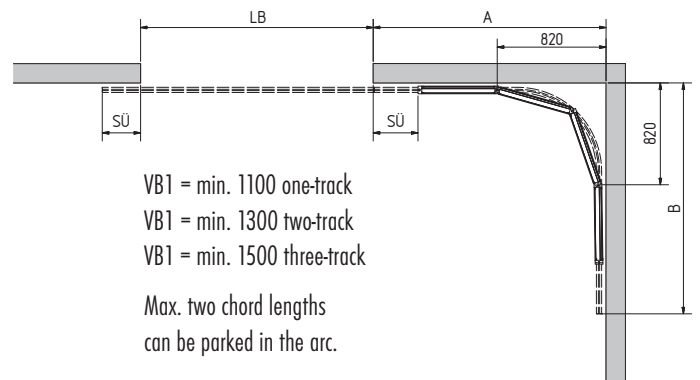
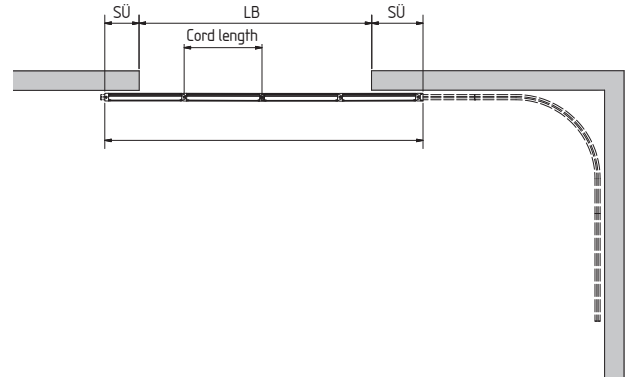
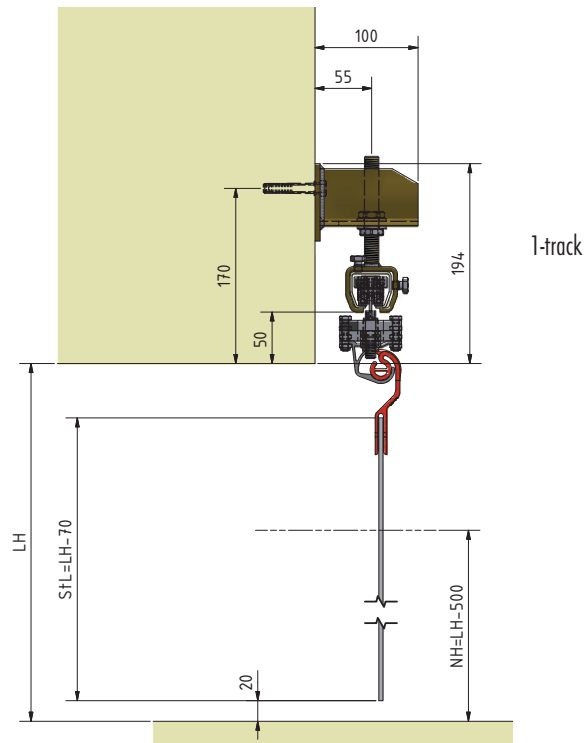


EASY HANG STRIP CURTAINS

CLIP-IN SYSTEM Fixing type B6



FIXING TYPE B6 - 90SDGR CAN SLIDE AROUND CORNER



To guide the strip curtain around a bend, the manufacturing width is split into individual chords connected by joints. The curtain can be slid on one or multi-tracks. Depending on the split of the overall width into individual lengths (chords), that the following PVC strips widths with corresponding overlaps are available:

- Strip width 300 mm with 150 mm (100%) overlap
- Strip width 400 mm with 150 mm (75%) overlap

LH = Clear height, LB = Clear width, FB = Manufacturing width, StL = Strip length, NH = usable access height (LH-500 mm),
 SÜ = Side projection (max. 2 x overlaps), VB = Sliding width, NB = usable width with curtain opened, ÜD = Coverage