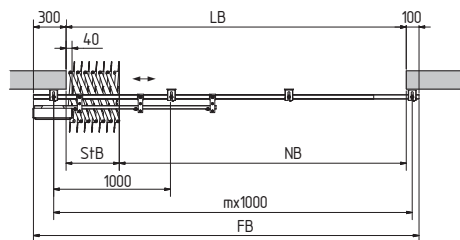
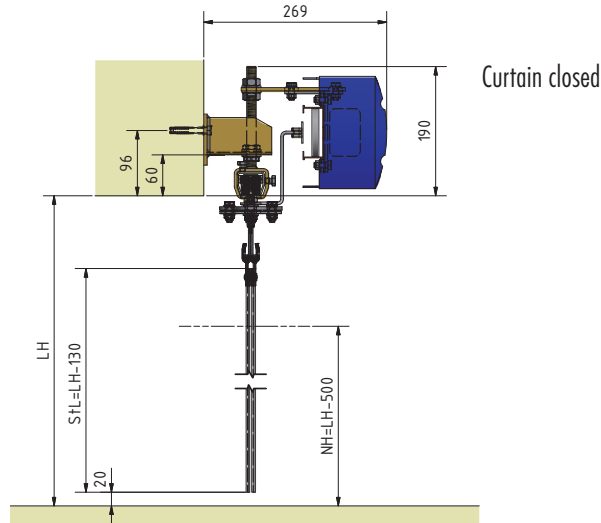
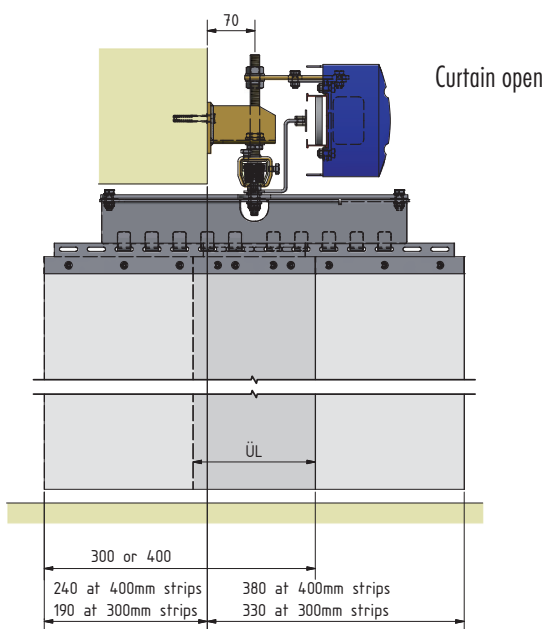


# EASY HANG STRIP CURTAINS

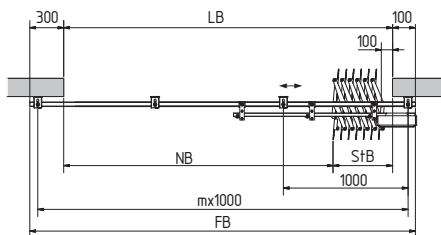
## QUICK-STRIP CURTAIN WITH CONCERTINA SYSTEM Fixing type B8



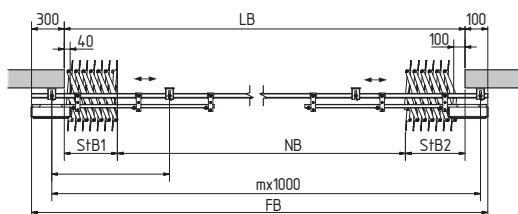
### FASTENING BELOW THE LINTEL - ELECTRIC DRIVE



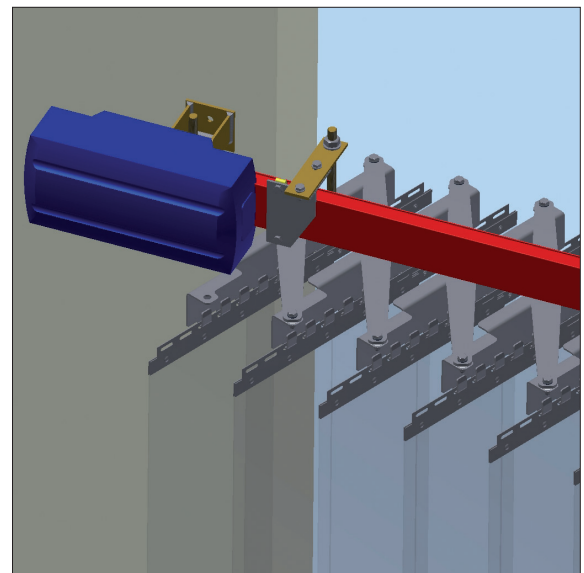
**Opens to left**  
 $StB = n \times 50 \text{ mm} + 40 \text{ mm}$   
 n = number of concertina units  
 m = number of wall fittings



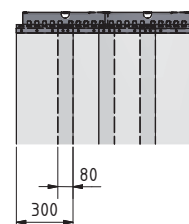
**Opens to right**  
 $StB = n \times 50 \text{ mm} + 100 \text{ mm}$   
 n = number of concertina units  
 m = number of wall fittings



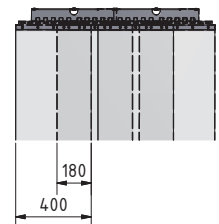
**Opens to left and right**  
 $StB1 = n1 \times 50 \text{ mm} + 40 \text{ mm}$   
 $StB2 = n2 \times 50 \text{ mm} + 100 \text{ mm}$   
 n1 = number of concertina units left  
 n2 = number of concertina units right  
 m = number of wall fittings



#### PVC strips for B8



Overlap  $\ddot{U}L$   
 for 300 mm strips  
 80 mm = 53%



Overlap  $\ddot{U}L$   
 for 400 mm strips  
 180 mm = 90%

LH = Clear height, LB = Clear width, FB = Manufacturing width, NB = usable width with curtain opened, SÜ = Side projection, StB = Stack width