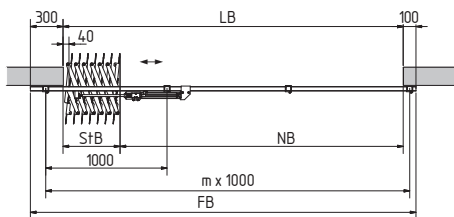
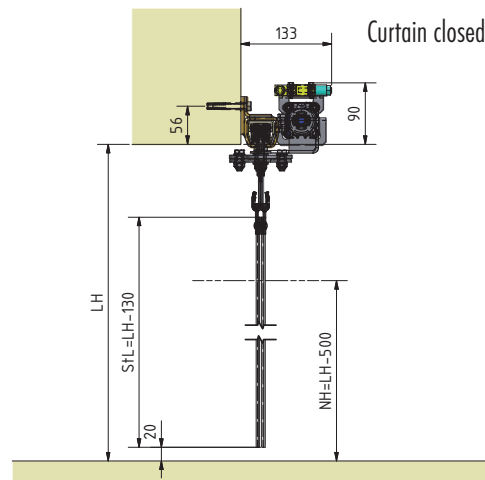
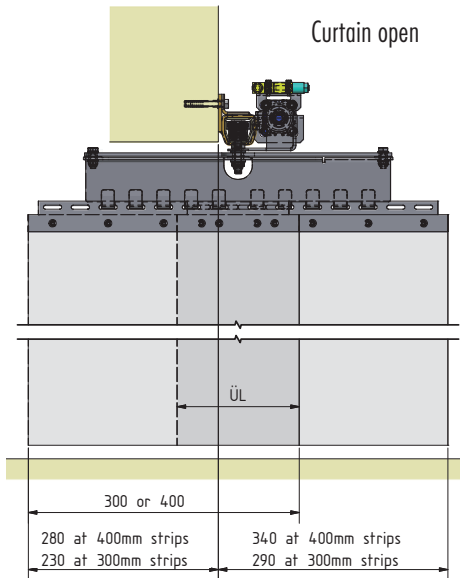


EASY HANG STRIP CURTAINS

QUICK-STRIP CURTAIN WITH CONCERTINA SYSTEM Fixing type B8

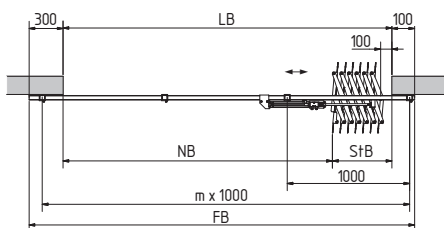


FASTENING BELOW THE LINTEL - PNEUMATIC DRIVE



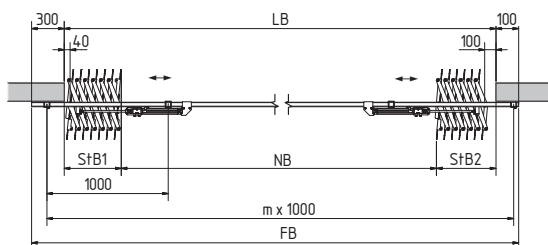
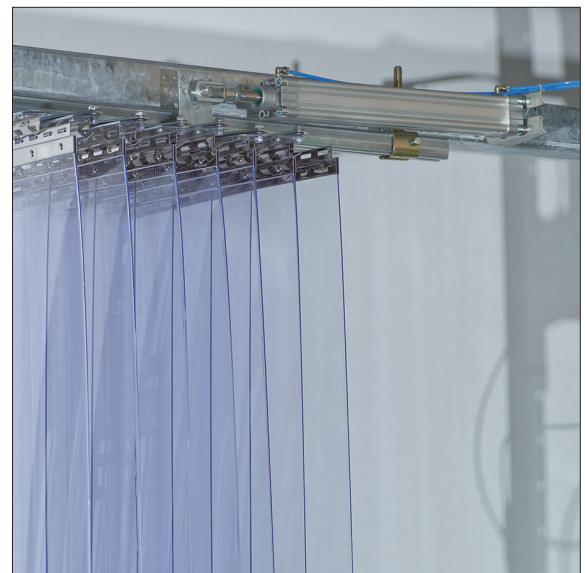
Opens to left

$StB = n \times 50 \text{ mm} + 40 \text{ mm}$
 $n = \text{number of concertina units}$
 $m = \text{number of wall fittings}$



Opens to right

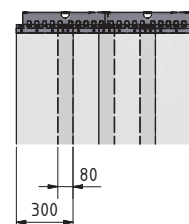
$StB = n \times 50 \text{ mm} + 100 \text{ mm}$
 $n = \text{number of concertina units}$
 $m = \text{number of wall fittings}$



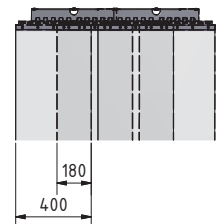
Opens to left and right

$StB1 = n1 \times 50 \text{ mm} + 40 \text{ mm}$
 $StB2 = n2 \times 50 \text{ mm} + 100 \text{ mm}$
 $n1 = \text{number of concertina units left}$
 $n2 = \text{number of concertina units right}$
 $m = \text{number of wall fittings}$

PVC strips for B8



Overlap $\ddot{U}L$
 for 300 mm strips
 80 mm = 53%



Overlap $\ddot{U}L$
 for 400 mm strips
 180 mm = 90%

LH = Clear height, LB = Clear width, FB = Manufacturing width, NB = usable width with curtain opened, SÜ = Side projection, StB = Stack width