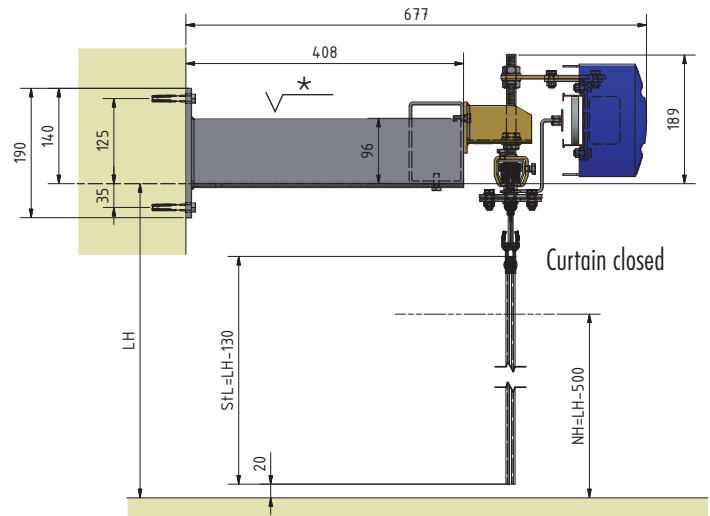
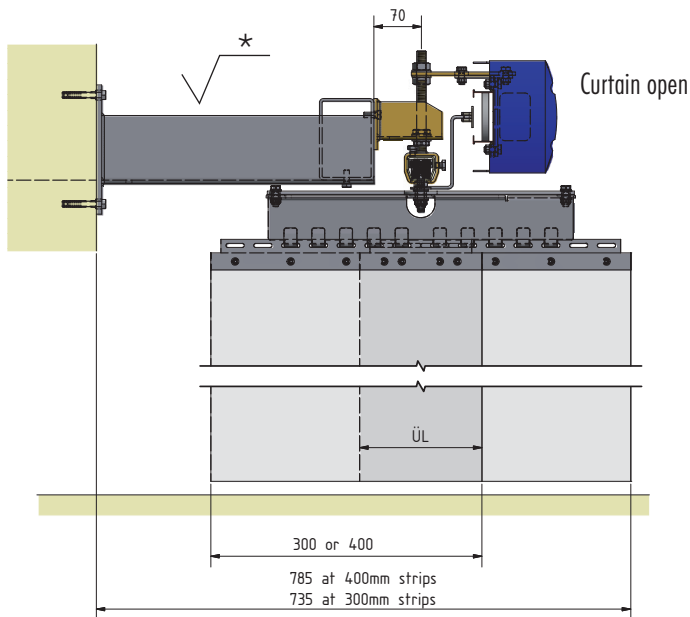


# EASY HANG STRIP CURTAINS

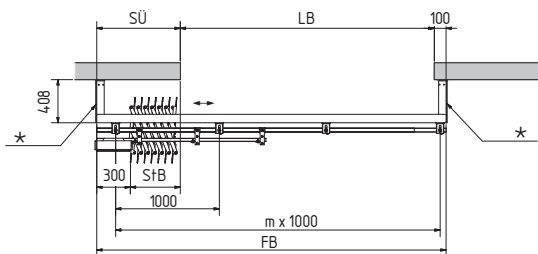
## QUICK-STRIP CURTAIN WITH CONCERTINA SYSTEM Fixing type B8



### FASTENING IN FRONT OF THE LINTEL - ELECTRIC DRIVE

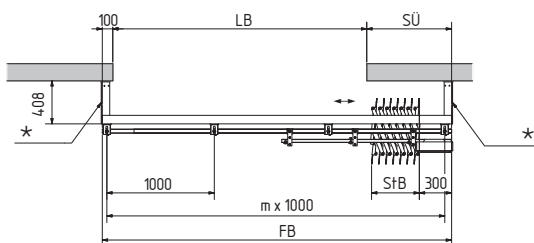


\* 400 mm wide strips for side seal



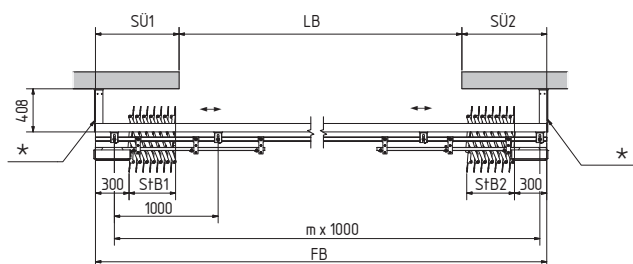
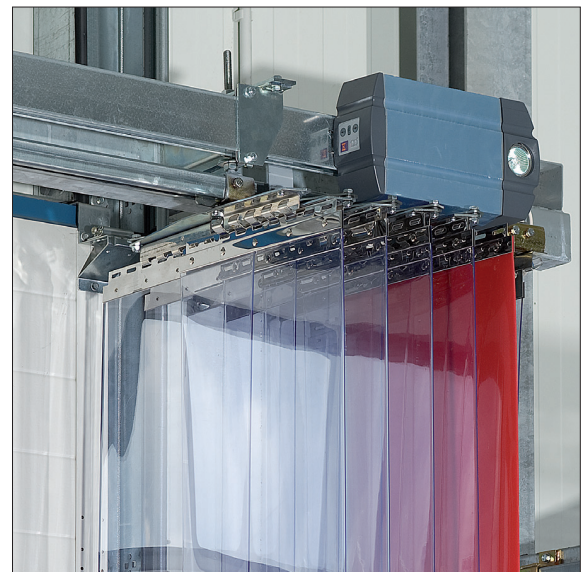
#### Opens to left

$SÜ = StB + 300 \text{ mm}$   
 $StB = n \times 50 \text{ mm}$   
 n = number of concertina units  
 m = number of wall fittings



#### Opens to right

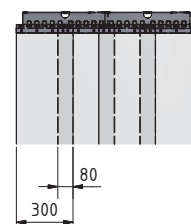
$SÜ = StB + 300 \text{ mm}$   
 $StB = n \times 50 \text{ mm}$   
 n = number of concertina units  
 m = number of wall fittings



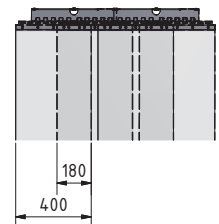
#### Opens to left and right

$SÜ1 = StB1 + 300 \text{ mm}$   
 $SÜ2 = StB2 + 300 \text{ mm}$   
 $StB1 = n1 \times 50 \text{ mm}$   
 $StB2 = n2 \times 50 \text{ mm}$   
 n1 = number of concertina units left  
 n2 = number of concertina units right  
 m = number of wall fittings

#### PVC strips for B8



Overlap  $ÜL$   
 for 300 mm strips  
 80 mm = 53%



Overlap  $ÜL$   
 for 400 mm strips  
 180 mm = 90%

LH = Clear height, LB = Clear width, FB = Manufacturing width, NB = usable width with curtain opened, SÜ = Side projection, StB = Stack width