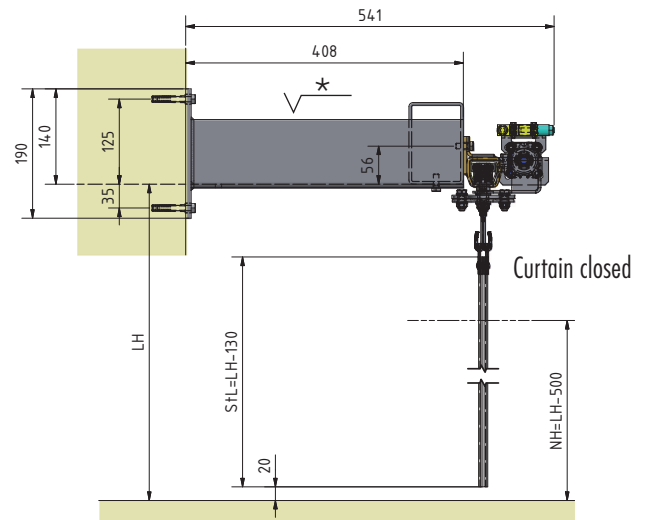
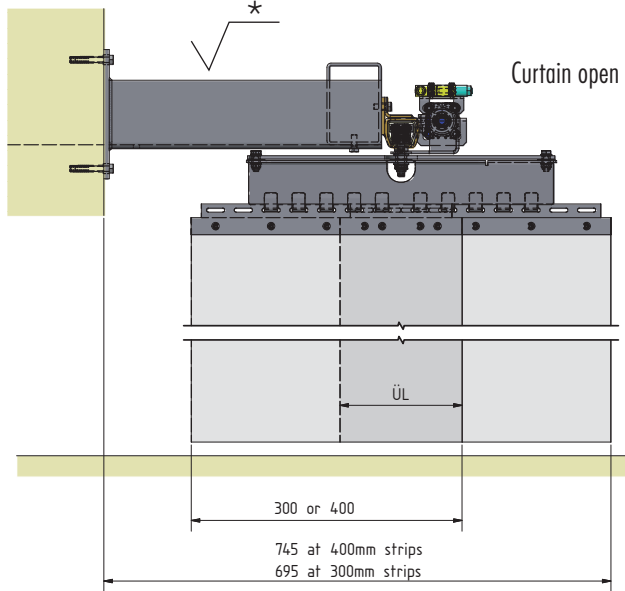


# EASY HANG STRIP CURTAINS

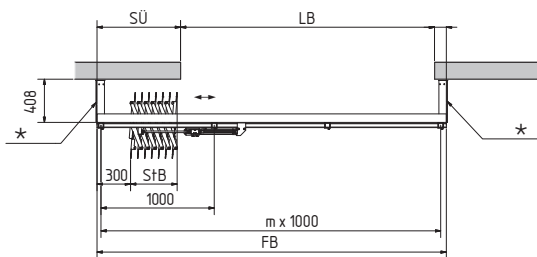
## QUICK-STRIP CURTAIN WITH CONCERTINA SYSTEM Fixing type B8



### FASTENING IN FRONT OF THE LINTEL - PNEUMATIC DRIVE

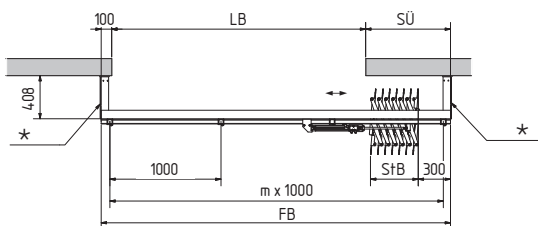


\* 400 mm wide strips for side seal



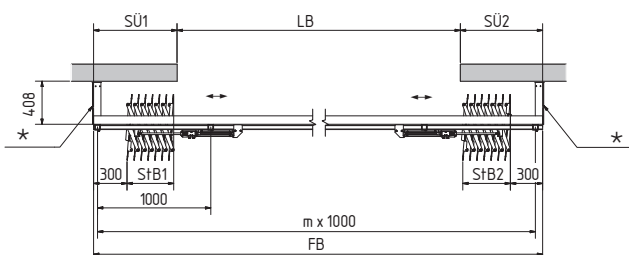
#### Opens to left

$SÜ = StB + 300 \text{ mm}$   
 $StB = n \times 50 \text{ mm}$   
 $n = \text{number of concertina units}$   
 $m = \text{number of wall fittings}$



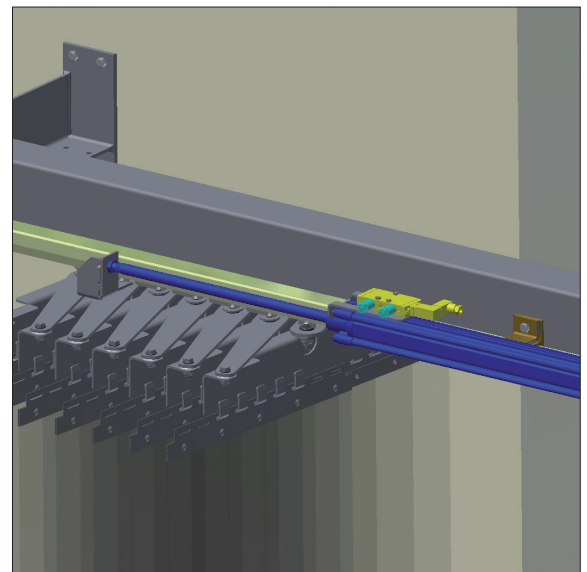
#### Opens to right

$SÜ = StB + 300 \text{ mm}$   
 $StB = n \times 50 \text{ mm}$   
 $n = \text{number of concertina units}$   
 $m = \text{number of wall fittings}$

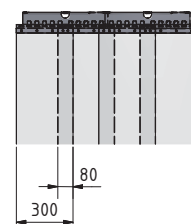


#### Opens to left and right

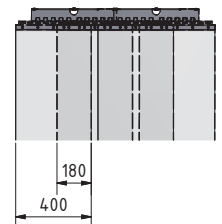
$SÜ1 = StB1 + 300 \text{ mm}$   
 $SÜ2 = StB2 + 300 \text{ mm}$   
 $StB1 = n1 \times 50 \text{ mm}$   
 $StB2 = n2 \times 50 \text{ mm}$   
 $n1 = \text{number of concertina units left}$   
 $n2 = \text{number of concertina units right}$   
 $m = \text{number of wall fittings}$



#### PVC strips for B8



Overlap ÜL  
for 300 mm strips  
80 mm = 53%



Overlap ÜL  
for 400 mm strips  
180 mm = 90%

LH = Clear height, LB = Clear width, FB = Manufacturing width, NB = usable width with curtain opened, SÜ = Side projection, StB = Stack width